

Guangzhou Best Electronic Technology Co., Ltd.

LED Track Light G Series(CuboLux)



- Built-in Lifud flicker-free driver 220-240V AC, 50/60 Hz PF>0.95 (Tridonic, Osram optional)
- LUMILEDS 3030 SMD, 83/95Ra
- For 2 wires, 3 wires, three-circuit track or surface mounting
- Rotation angle 350°
- Swivel angle 90°
- Colors: Matte White/Matte Black
- 5 years warranty(working environment temperature below 30°C)
- Aluminum Housing

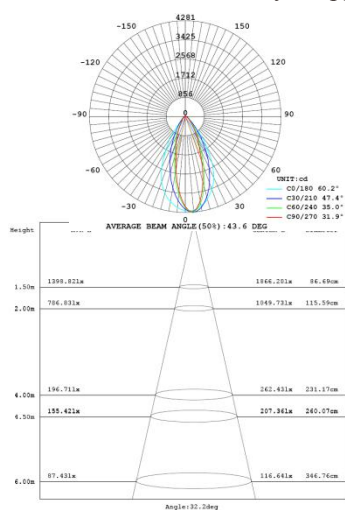


BST-TL-G

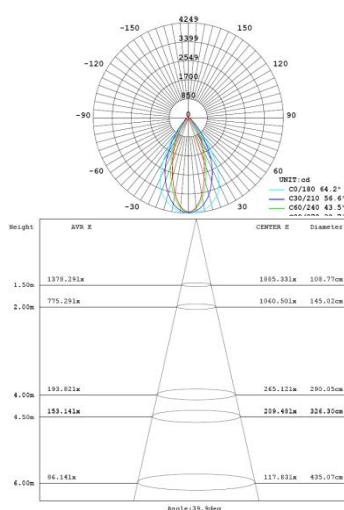
Specification

Part No.	Power	LED Current	30°,60° Luminous Flux	Color rendering index	Color Temperature	Beam angle and Light efficiency	Working temperature
BST-TL-20W -G	20W	500mA	1800-2000lm	>80Ra	2700-6500K	30x60°(85-95 lm/W) 38x65°(90-100lm/W) 60x70°(90-100lm/W)	-30°C~+45°C
BST-TL-30W -G	30W	800mA	2700-3000lm				
BST-TL-37W -G	37W	900mA	3330-3700-lm				

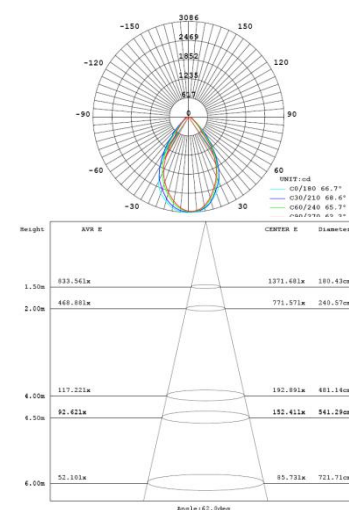
The photometric values are standard values and refer to the entire luminaire.
In the case of CRI ≥ 90 the efficiency is approx. 10-15 % lower.



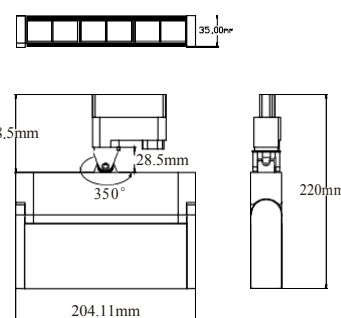
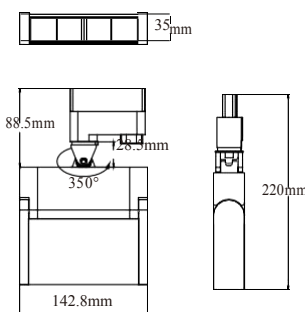
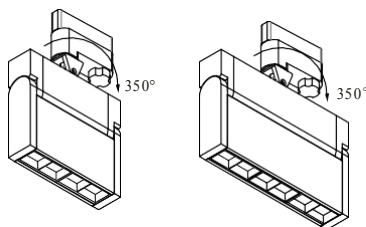
20W



30W-37W



Dimension:



Packing

10PCS/CTN

Carton size: 20W: 72.5*18.7*28.2cm

30W-37W: 72.5*27.2*28.2cm

N.W: 7.5KG

N.W: 9.5KG

G.W: 9KG

G.W: 11KG

